



Urinal flush plate for Prevista

Visign for Style 21

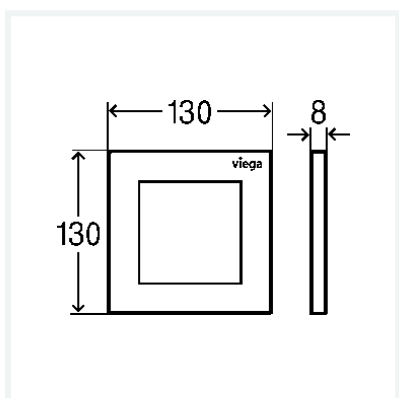
- for urinal flushing system
- manual flush actuation from front

Components

fixing frame, actuating rod set, fixing bolt, cartridge valve

Model 8611.2

Article 774 523



Properties

Cover plate	white alpine plastic
Actuator	white alpine plastic
Weight	226 g
Volume	2072 cm ³
Material	plastic